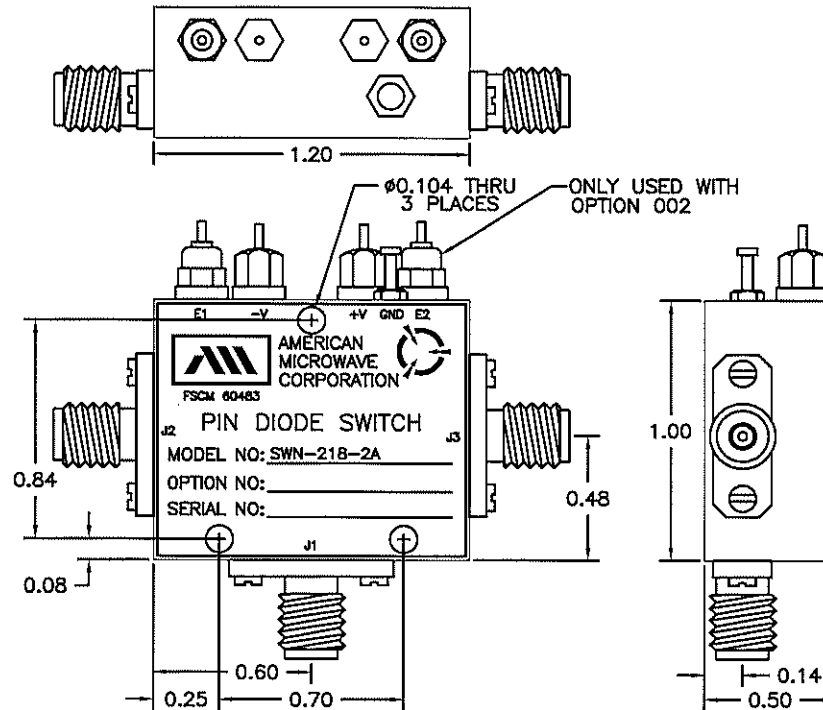


DESCRIPTION

AMC MODEL SWN-218-2A IS A SPDT PIN SWITCH INTENDED FOR WIDE BAND SWITCHING APPLICATIONS IN COMMERCIAL AND MILITARY ENVIRONMENTS. IT HAS AN INSTANTANEOUS FREQUENCY COVERAGE FROM 0.3 TO 18 GHz AND FEATURES ALL SOLID STATE CHIP DIODE AND MICROSTRIP CONSTRUCTION FOR RUGGED, RELIABLE OPERATION. HYBRID DRIVER CIRCUITRY FEATURES REVERSE VOLTAGE AND OVER-VOLTAGE PROTECTION.

MECHANICAL OUTLINE



REVISIONS				
ZONE	REV.	DESCRIPTION	DATE	APPROVED
	-	ORIGINAL RELEASE JOB# 612221-1	06/22/04	<i>[Signature]</i>

AMERICAN MICROWAVE CORPORATION

7311-G GROVE ROAD
 FREDERICK, MARYLAND 21704 USA
 TEL: 301-662-4700 FAX: 301-662-4938
 WEBSITE: www.americanmicrowavecorp.com
 E-MAIL: sales@americanmicrowavecorp.com
 ISO 9001:2000 CERTIFIED

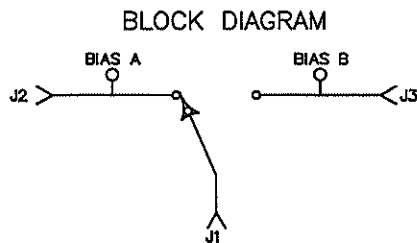
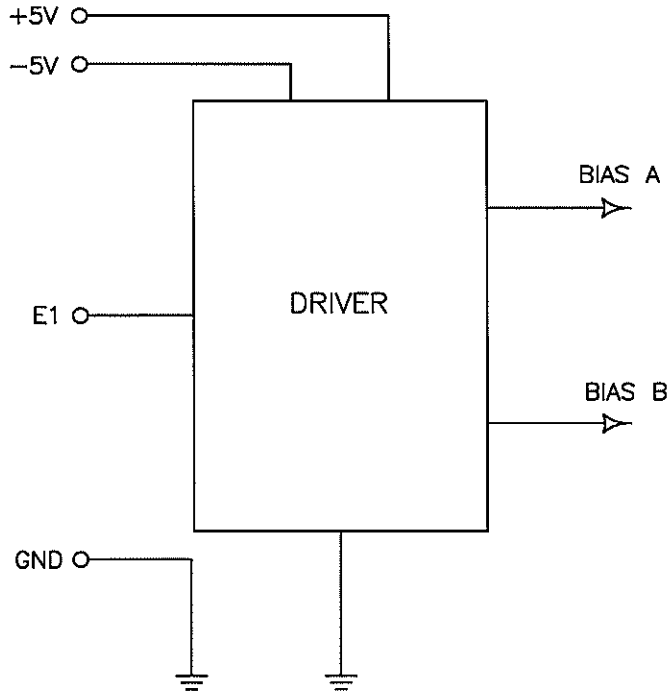


ALL DIMENSIONS ARE IN INCHES
 TOLERANCES:
 X.XX ±0.020
 X.XXX ±0.010

APPROVALS		DATE	TITLE			
DRAWN <i>WJCS</i>		12/18/06	MECHANICAL OUTLINE SWN-218-2A			
REDRAWN <i>Rd</i>		12/18/06	SIZE	FSCM NO.	DWG NO.	REV.
ISSUED			A	60483	100-7733-001	-
			SCALE N:S			SHEET 2 OF 4

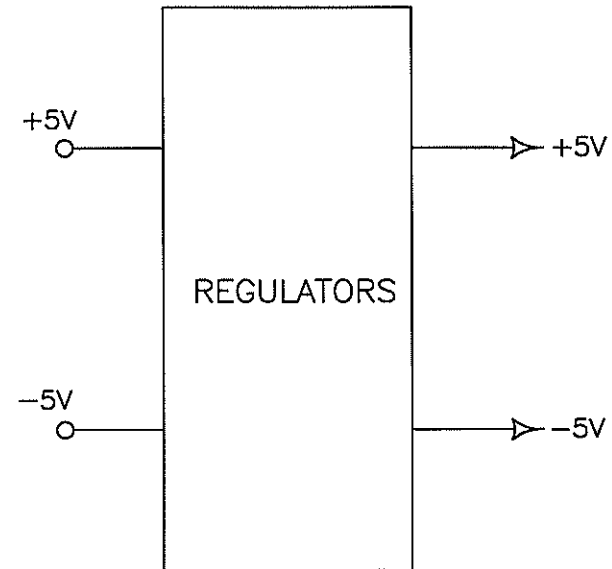
DESCRIPTION

AMC MODEL SWN-218-2A IS A SPDT PIN SWITCH INTENDED FOR WIDE BAND SWITCHING APPLICATIONS IN COMMERCIAL AND MILITARY ENVIRONMENTS. IT HAS AN INSTANTANEOUS FREQUENCY COVERAGE FROM 0.3 TO 18 GHz AND FEATURES ALL SOLID STATE CHIP DIODE AND MICROSTRIP CONSTRUCTION FOR RUGGED, RELIABLE OPERATION. HYBRID DRIVER CIRCUITRY FEATURES REVERSE VOLTAGE AND OVER-VOLTAGE PROTECTION.



REVISIONS				
ZONE	REV.	DESCRIPTION	DATE	APPROVED
	-	ORIGINAL RELEASE JOB# 612221-1	06/22/04	<i>[Signature]</i>

FUNCTIONAL BLOCK DIAGRAM



CONFIDENTIAL AND PROPRIETARY

AMERICAN MICROWAVE CORPORATION

7311-G GROVE ROAD
 FREDERICK, MARYLAND 21704 USA
 TEL: 301-662-4700 FAX: 301-662-4938
 WEBSITE: www.americanmicrowavecorp.com
 E-MAIL: sales@americanmicrowavecorp.com
 ISO 9001:2000 CERTIFIED



APPROVALS		DATE	TITLE			
DRAWN <i>WLS</i>		12/18/06	FUNCTIONAL BLOCK DIAGRAM SWN-218-2A			
REDRAWN <i>RA</i>		12/18/06	0.3 TO 18 GHz SINGLE POLE TWO THROW SWITCH			
ISSUED			SIZE	FSCM NO.	DWG NO.	REV.
			A	60483	100-7733-001	-
			SCALE	SHEET		
			N:S	3 OF 4		